



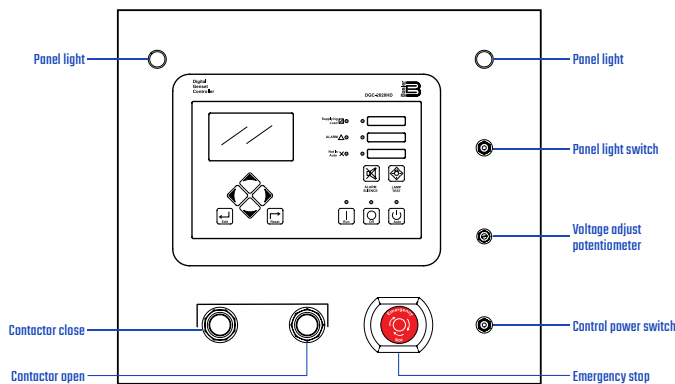
**AXIS**  
PORTABLE AIR

**DCA220SSJU4F3**  
GENERATOR SPECIFICATIONS

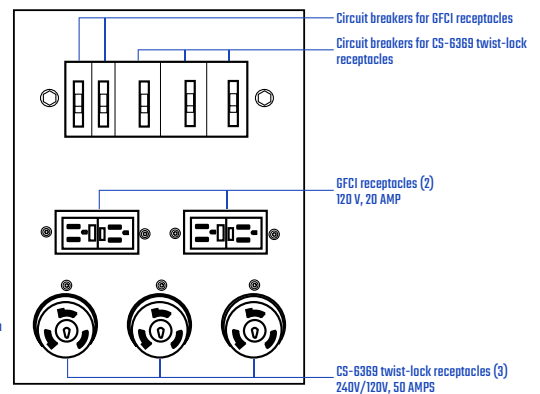
**176kW**



**Generator Control Panel**



**Generator Output Panel**



**DCA220SSJU4F3 Weights\***

|                             |                        |
|-----------------------------|------------------------|
| Dry Weight                  | 8,399 lbs. (3,810 kg)  |
| Wet Weight                  | 11,111 lbs. (5,040 kg) |
| Max. Lifting Point Capacity | 16,500 lbs. (7,483 kg) |

\* Weights do not include options

**DCA220SSJU4F3 Dimensions (with trailer)**

|        |                    |
|--------|--------------------|
| Length | 212.9 in (5408 mm) |
| Width  | 89 in (2261 mm)    |
| Height | 105.4 in (2677 mm) |





**AXIS**  
PORTABLE AIR

**DCA220SSJU4F3**  
**GENERATOR SPECIFICATIONS**

**176kW**

| Generator Specifications                                      |  |
|---|--|
| Design  | Revolving field, self-ventilated<br>Drip-proof, single bearing     |
| Armature Connection   | Star with Neutral  |
| Phase   | 3  |
| Standby Output  | 194 KW (242 KVA)   |
| Prime Output  | 176 KW (220 KVA)   |
| 3Ø Voltage (L-L/L-N)<br>Voltage Selector Switch at 3Ø 240/139 | 208Y/120, 220Y/127, 240Y/139                                       |
| 3Ø Voltage (L-L/L-N)<br>Voltage Selector Switch at 3Ø 480/277 | 416Y/240, 440Y/254, 480Y/277                                       |
| 1Ø Voltage (L-L/L-N)<br>Voltage Selector Switch at 1Ø 240/120 | N/A  |
| Power Factor  | 0.8  |
| Voltage Regulation (No load to full load)                     | ±0.5%  |
| Generator RPM   | 1800   |
| Frequency   | 50/60 Hz   |
| Winding Pitch   | 2/3  |
| No. of Poles  | 4  |
| Excitation  | Brushless with AVR   |
| Frequency Regulation: No Load to Full Load                    | Isosynchronous under varying loads from no load to 100% rated load |
| Frequency Regulation: Steady State                            | ±0.25% of mean value for constant loads from no load to full load  |
| Insulation  | Class F  |
| Sound Level dB(A) Full load at 23 feet                        | 69   |

| Engine Specifications     |  |
|---------------------------|--|
| Make / Model              | John Deere / 6068HFG06   |
| Emissions                 | EPA Tier 4 Final Certified   |
| Starting System           | Electric   |
| Design                    | 4-cycle, water cooled, direct injection,<br>turbocharged, charge air cooled, EGR, DOC, and SCR |
| Displacement              | 414.96 in <sup>3</sup> (6.8 liters)  |
| No. cylinders             | 6  |
| Bore x Stroke (mm)        | 4.17 x 5.0 in. (106 x 127 mm)  |
| Gross Engine Power Output | 323 hp (241 kW)  |
| BMEP                      | 316 psi (2180 kPa)   |
| Piston Speed              | 1500 ft/min (7.62 m/s)   |
| Compression Ratio         | 17.2:1   |
| Engine Speed              | 1800 rpm   |
| Overspeed Limit           | 2070 rpm   |
| Oil Capacity              | 8.58 gallons (32.5 liters)   |
| Battery                   | 12V 150Ah x 1  |

| Fuel System                    |                             |            |
|--------------------------------|-----------------------------|------------|
| Recommended Fuel               | ASTM-D975-No.1 & No.2-D*    |            |
| Maximum Fuel Flow (per hour)   | 44.3 gallons (168 liters)   |            |
| Maximum Inlet Restriction (Hg) | 8.9 in (225 mm)             |            |
| Fuel Tank Capacity             | 319 gallons (1210 liters)   |            |
| <b>Fuel Consumption</b>        | <b>gph</b>                  | <b>lph</b> |
| At full load                   | 12.0                        | 45.5       |
| At 3/4 load                    | 9.4                         | 35.5       |
| At 1/2 load                    | 6.9                         | 26.1       |
| At 1/4 load                    | 4.6                         | 17.3       |
| DEF Tank Capacity              | 29.8 gallons (112.8 liters) |            |

\* Use ultra-low sulfur diesel fuel

| Cooling System                         |                            |
|--|----------------------------|
| Fan Load                               | 9.6 hp (7.2 kW)            |
| Coolant Capacity (with radiator)       | 12.9 gallons (48.7 liters) |
| Coolant Flow Rate (per minute)         | 119 gallons (450 liters)   |
| Heat Rejection to Coolant (per minute) | 6,944 Btu (7.33 MJ)        |
| Maximum Coolant Friction Head          | 7.3 psi (50 kPa)           |
| Maximum Coolant Static Head            | 78.6 ft. (24.0 m)          |
| Ambient Temperature Rating             | 104°F (40°C)               |

| Air                             |                                       |
|---------------------------------|---------------------------------------|
| Combustion Air                  | 537 cfm (15.2 m <sup>3</sup> /min)    |
| Maximum Air Cleaner Restriction | 25 in. H <sub>2</sub> O (6.25 kPa)    |
| Alternator Cooling Air          | 1459 cfm (41.3 m <sup>3</sup> /min)   |
| Radiator Cooling Air            | 9,450 cfm (267.5 m <sup>3</sup> /min) |

| Exhaust System        |                                     |
|-----------------------|-------------------------------------|
| Gas Flow (full load)  | 1119 cfm (31.7 m <sup>3</sup> /min) |
| Gas Temperature       | 752°F (400°C)                       |
| Maximum Back Pressure | 78 in. H <sub>2</sub> O (19.6 kPa)  |

| Amperage  |                     |
|---|---------------------|
| Rated Voltage                                       | Maximum Amps        |
| 1Ø 120 Volt   | 488.9 Amps (4 wire) |
| 1Ø 240 Volt   | 244.4 Amps (4 wire) |
| 3Ø 208 Volt   | 529 Amps            |
| 3Ø 240 Volt   | 529 Amps            |
| 3Ø 480 Volt   | 264 Amps            |
| Main Line Circuit Breaker Rating                    | 600 Amps            |
| Over Current Relay Trip Set Point<br>480V Mode Only | 256 Amps            |

| PowerBalance Load Bank |              |
|------------------------|--------------|
| Rated Voltage          | Maximum Amps |
| kW Rating              | 61.6         |
| 3Ø 240/480 Volt        | 148/74 Amps  |
| Fuses                  | 175 Amps x 3 |

